



Above: Montrose shown with 4 sided fascia

Designed for modern living, the Regency Montrose will add ambience and enjoyment to any room. The large viewing glass with black etched edge provides an exceptional view of the fire whilst complimenting the décor of any home.

The Montrose is designed to fit into a custom built wall without a brick fireplace or chimney ensuring it can be featured in any room. As a slow combustion heater the unit can be controlled to maximize heat output as well as wood usage.

Designed to not only meet, but exceed the very latest Australian requirements for emissions and efficiency this is the latest in heating technology.

Standard Features

- Large glass viewing area (790mm x 310mm)
- 5mm steel firebox – lined with high quality firebrick
- Zero clearance
- Low emissions 1.2g/kg
- Single draft control with airwash
- Removable door handle tool
- Stainless steel andiron

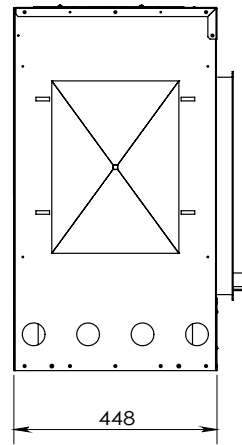
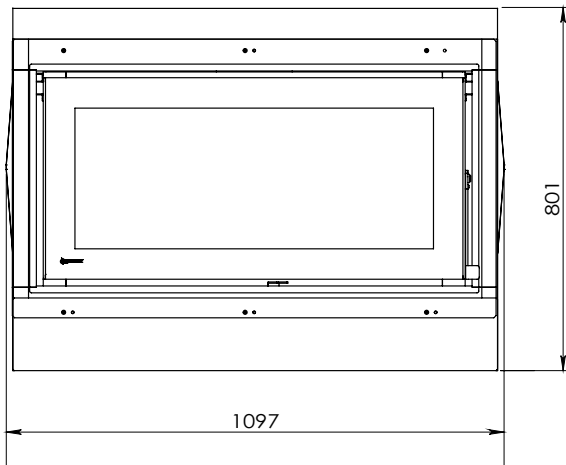
Optional Features

- Black 4 sided fascia
- Base frame kit – raises unit 300mm on sturdy steel frame
- Fan kit
- Flexible ducting for fan kit (4.5m) up to 2 can be fitted
- Outside air kit

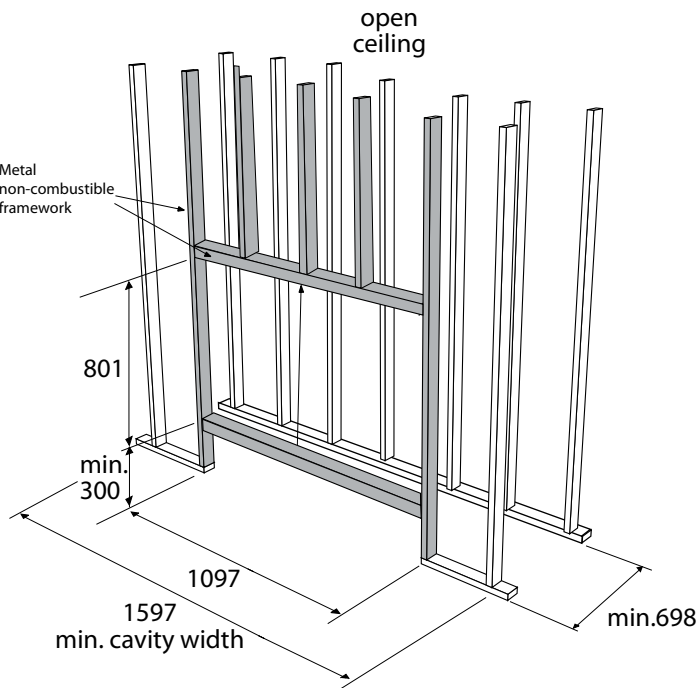


Regency Montrose shown as a clean edge install.

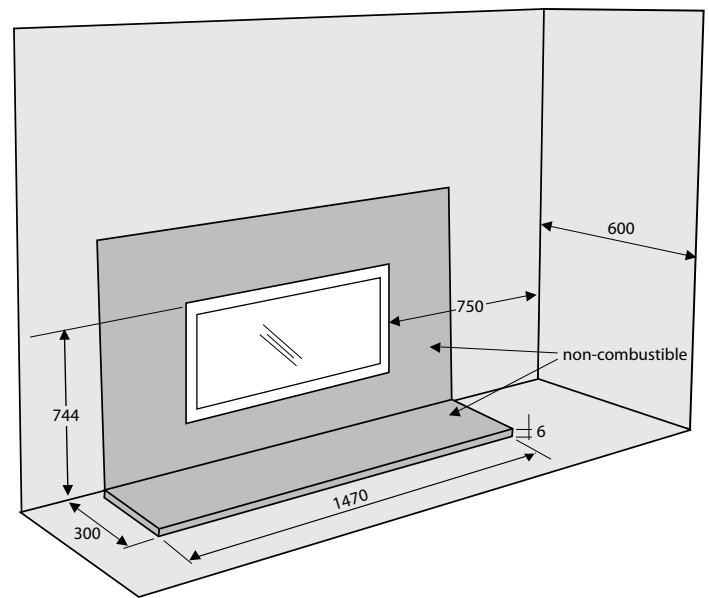
specifications



framing



clearances



These are **guidelines only**, subject to change without notice. Always refer to the actual product manual that comes with your unit for specific, current dimensions, clearances and installation.

Go to www.regency-fire.com.au to download a copy of the installation guide.



your Regency dealer

Fireplace Products Australia Pty Ltd.
 1 Conquest Way,
 Hallam VIC 3803
 Australia
 Phone 1 800 081 978
 Fax 03 979 97822
 Email: sales@regency-fire.com.au

Distributor WA
Air Group Australia
 28 Division St.
 Welshpool WA 6106
 Australia
 Phone 08 9350 2200